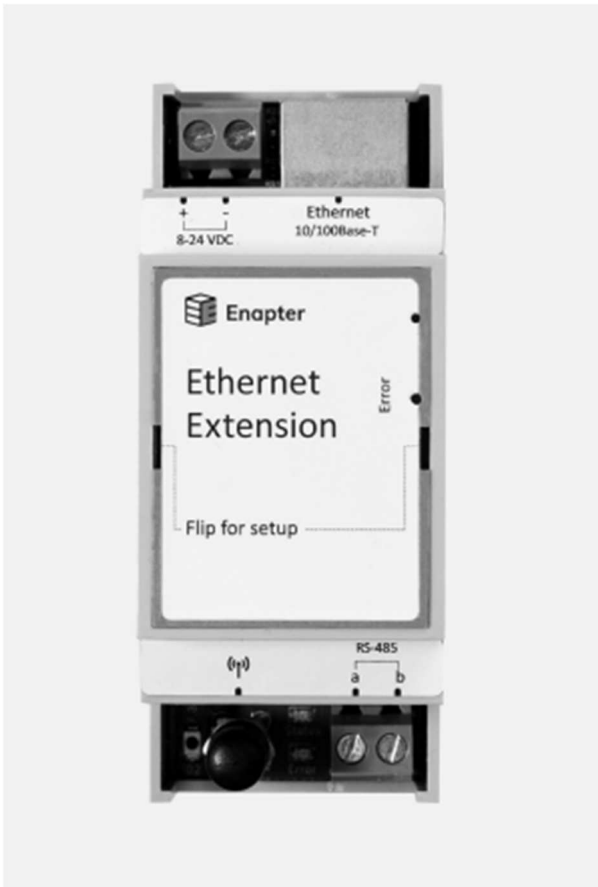


Enapter ENP-ETH Module Datasheet



Ethernet Module

Ethernet Module is used to read data from devices such as inverters, ventilation systems, valves, irradiance sensors, power meters and others using Ethernet interface. The Ethernet Module sends the collected data to the Enapter Gateway and Cloud via secure wireless connection.

Connected Ethernet device

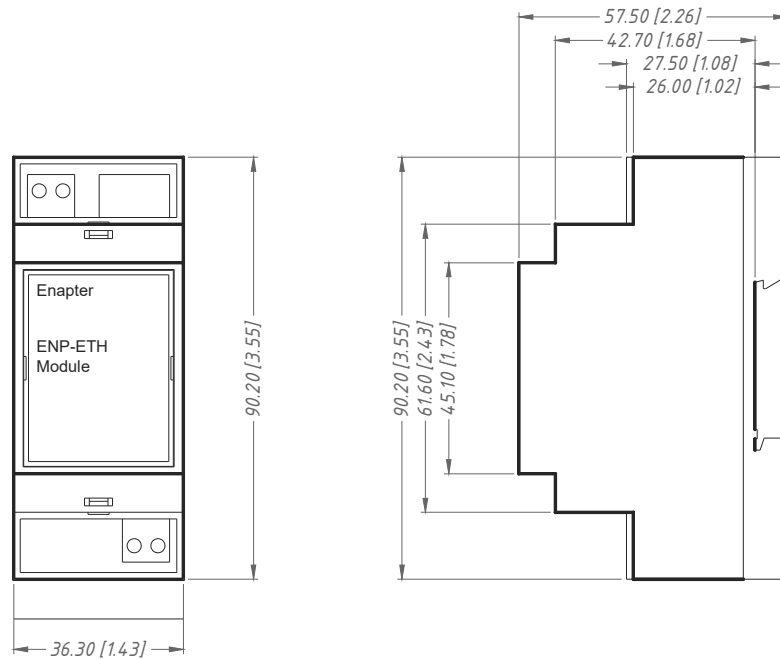
| | |
|------------|--|
| Type | Inverter Fuel cell Internet Service and others APIs |
| Connection | Ethernet 10/100 BASE-T, IEEE 802.3/802.3u 8P8C connection |
| Protocol | Modbus TCP MQTT SNMP HTTP and others |

Connected RS-485 device (optional)

| | |
|----------------|--|
| Type | Inverter Ventilation system Valve Irradiance sensor Power meter and others |
| Voltage supply | 8...24 V DC when module and RS-485 device powered from shared power supply |
| Connection | 2-pin screw terminal block |

Dimensions

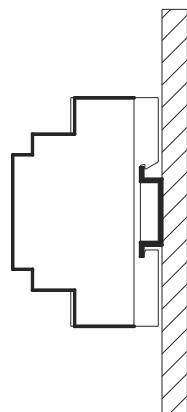
The dimensions are in mm and in brackets in inch.



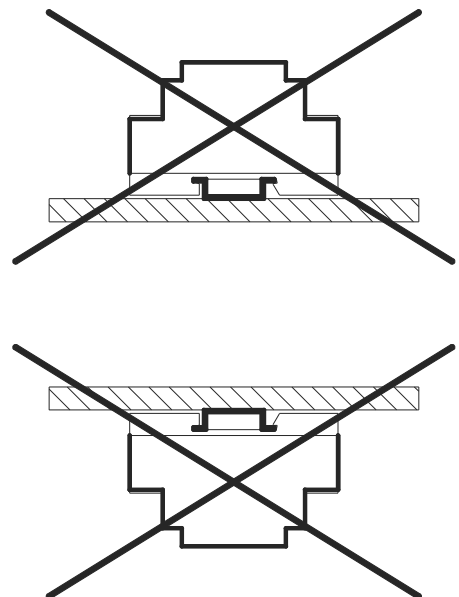
Mounting

The ENP-ETH Module must be horizontally mounted on 35 mm DIN rail according to IEC 60715.

Correct Mounting Position

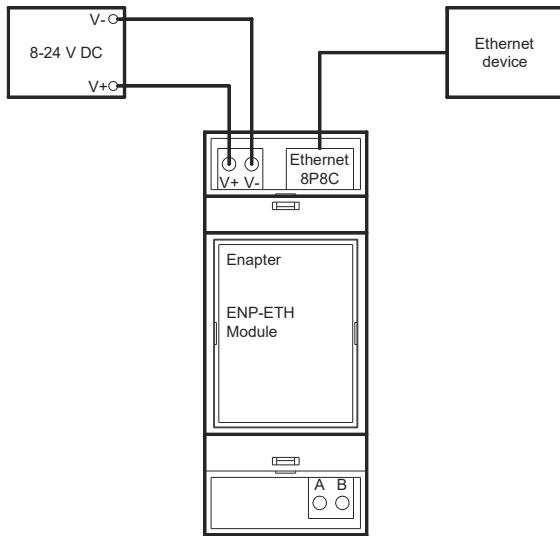


Incorrect Mounting Position



Connection Examples

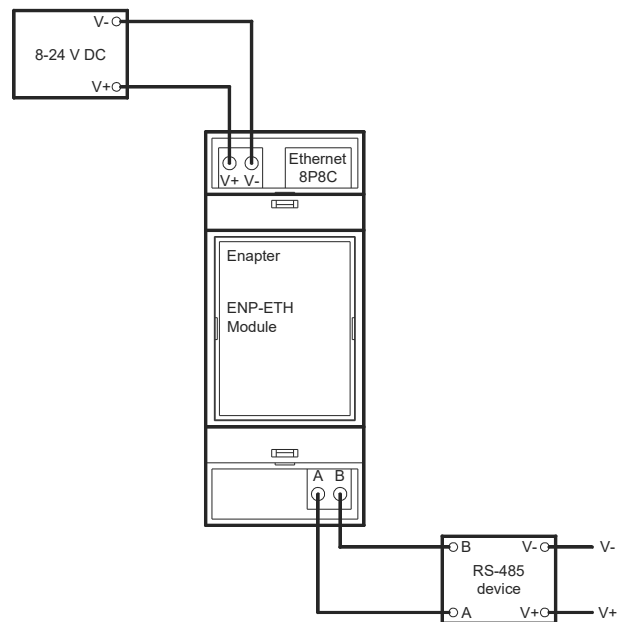
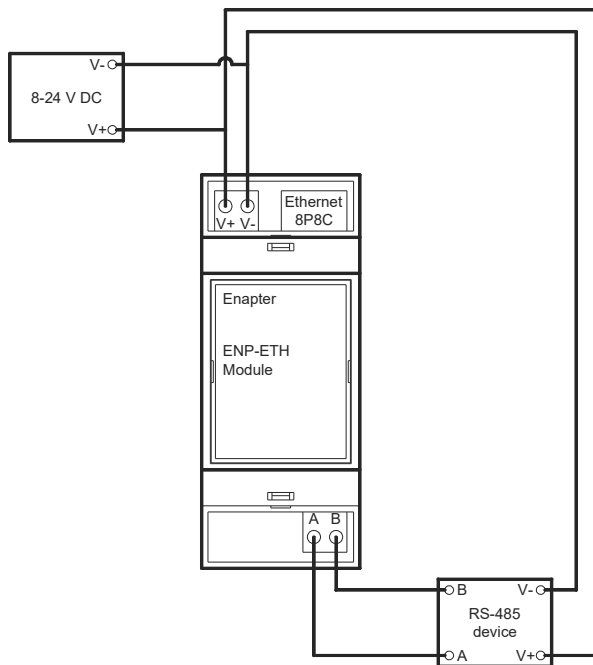
Module connected to Ethernet device.



Optional RS-485 Device connection.

Module and RS-485 device powered from shared power supply.

Module and RS-485 device powered from independent power supplies.



Note: 1 Amp Circuit Breaker recommended to use on power line for the ENP-ETH Module.

Standards

Wi-Fi protocols – 802.11 b/g/n/e/i (802.11n up to 150 Mbit/s).

Bluetooth protocols – Bluetooth v4.2 BR/EDR and BLE specification.

Warnings



Alternating current voltage of 110 – 220 V is potentially lethal!



All works on assembly and installation should be performed only with a disconnected power supply!



The installation and assembly of electrical equipment must be carried out by electrically qualified persons.

The appearance of the product may differ from the images presented on the website or in this manual. The discrepancy between the appearance and packaging of the goods with a picture and description on the website or this manual is not an indication of poor quality goods. The manufacturer reserves the right to make changes to the design and packaging of the product without prior notice.